



Front-Loading Automatic Washer

Owner's Manual and Installation Instructions

Models 4908*

ENGLISH



Designed to use only HE High Efficiency Detergent

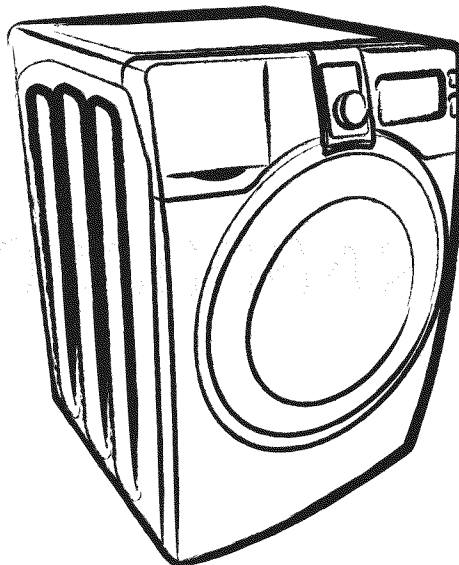


TABLE OF CONTENTS

TABLE OF CONTENTS	2
PROTECTION AGREEMENTS	2
In Canada	2
KENMORE ELITE® WASHER WARRANTY	3
PEDESTAL OPTION WARRANTY	3
WASHER SAFETY	4
INSTALLATION REQUIREMENTS	5
Tools and Parts	5
Options	5
Location Requirements	6
Drain System	7
Electrical Requirements	8
INSTALLATION INSTRUCTIONS	9
Remove Transport System	9
Connect the Inlet Hoses	9
Route the Drain Hose	10
Secure the Drain Hose	11
Level the washer	11
Complete Installation	11
FEATURES AND BENEFITS	12
WASHER USE	13
Starting Your Washer	13
Using the Proper Detergent	13
Using the Dispenser	14
Pausing or Restarting	16
Changing Cycles, Options and Modifiers	16
Status Lights	16
Cycles	17
Normal Sounds	19
Options	19
LAUNDRY TIPS	21
Loading	21
Stain Removal Guide	22
WASHER CARE	22
Cleaning Your Washer	22
Water Inlet Hoses	24
Vacation, Storage, and Moving Care	24
TROUBLESHOOTING	25
Washer and Components	25
Washer Operation	26
Clothes Care	27
SERVICE NUMBER	BACK COVER

PROTECTION AGREEMENTS

In Canada

Protection Agreements

Your purchase has added value because you can depend on Sears HomeCentral® for service. With over 2,400 Service Technicians and more than a million parts and accessories, we have the tools, parts, knowledge and skills to back our pledge: We Service What We Sell.

Your KENMORE ELITE® product is designed, manufactured and tested to provide years of dependable operation. But like all products, it may require service from time to time. The Sears Maintenance Agreement offers you an outstanding service program, affordably priced.

The Sears Protection Agreement

- Is your way to buy tomorrow's service at today's price
- Eliminates repair bills resulting from normal wear and tear
- Provides phone support from a Sears technician on products requiring in-home repair
- Even if you don't need repairs, provides an annual Preventive Maintenance Check, at your request, to ensure that your product is in proper running condition.

KENMORE ELITE® WASHER WARRANTY

Two years Full Warranty on Washer & Ten years Parts Warranty on Direct Drive Motor

For two years from the date of purchase, when installed and operated according to the Use & Care Guide, this washer will be repaired free of charge if defective in material or workmanship. If the direct drive motor is defective in material or workmanship within the third through tenth year from purchase date, call 1-800-4-MY-HOME to receive a free replacement motor. After the second year from purchase date, you will be responsible for the labor cost of motor installation.

Service must be provided by a Sears Service Department in Canada or an authorized agent.

Warranty Restriction

- If this washer is used for other than private family purposes, this warranty applies for only 90 days from the date of purchase.
- Use of any laundry detergent not specifically designated for High Efficiency (HE) washers will void this warranty.

Warranty Service

Warranty service is available by calling 1-800-4-MY-HOME®. This warranty applies only while this washer is used in the United States or Canada.

This warranty gives you specific legal rights, and you may also have other rights, which vary, from state to state or province to province.

For Sears warranty information or to contact a Sears Service Center, please reference the service numbers located on the back page of this manual.

Sears Canada Inc.
Toronto, Ontario, Canada M5B 2C3

Product Record

In the space below, record your complete model number, serial number, and purchase date. Model plate is located on the upper left-hand corner of the door opening and on the rear right side of the unit.

Have this information available to help you quickly obtain assistance or service when you contact Sears concerning your appliance.

Model number _____

Serial number _____

Purchase date _____

Inlet Hose replacement date _____

Inlet Hose replacement date _____

Inlet Hose replacement date _____

Replace inlet hoses after 5 years of use to reduce the risk of hose failure.

Save these instructions and your sales receipt for future reference.

PEDESTAL OPTION WARRANTY

Full One-Year Warranty on Mechanical Parts

For one year from the date of purchase, supplier will repair or replace any of its mechanical parts if defective in material or workmanship. This Pedestal must be installed with this washer according to the instructions provided in the Pedestal Installation Instructions.

Warranty Restriction

If the pedestal is subject to other than private family use and or if the pedestal is used with any other product than those listed in the installation instructions, the above warranty coverage is null and void.

Product Record

In the space below, record your complete model number, serial number, and purchase date. Model plate for the pedestal is located on the rear of the upper right hand corner.

Have this information available to help you quickly obtain assistance or service when you contact Sears concerning your pedestal.

Model number _____

Serial number _____

Purchase date _____

Save these instructions and your sales receipt for future reference.

ENGLISH

WASHER SAFETY

Your safety and the safety of others are very important.

We have provided many important safety messages in this manual and on your appliance. Always read and obey all safety messages.



This is the safety alert symbol.

This symbol alerts you to potential hazards that can kill or hurt you and others.

All safety messages will follow the safety alert symbol and either the word "WARNING" or "CAUTION."

These words mean:



Hazards or unsafe practices that may result in severe personal injury or death.



Hazards or unsafe practices that may result in minor personal injury or property damage.

All safety messages will tell you what the potential hazard is, tell you how to reduce the chance of injury, and tell you what can happen if the instructions are not followed.

IMPORTANT SAFETY INSTRUCTIONS

WARNING: To reduce the risk of fire, electric shock, or injury to persons when using the washer, follow basic precautions, including the following:

- Read all instructions before using the appliance.
- With any equipment using electricity and moving parts, potential hazards exist. To safely operate this appliance, become familiar with its operation and be careful when using it.
- Install and store your washer inside, away from exposure to weather.
- Install and level your washer on a floor that can support its weight.
- Your washer must be properly grounded. Never plug it into an ungrounded outlet.
- To reduce the risk of fire or explosion:
 - Do not wash items that have been washed, soaked, or treated with gasoline, dry cleaning solvents, or other flammable or explosive substances. They give off vapors that could ignite or explode. Rinse by hand any material that has been exposed to cleaning solvent or other flammable liquids or solids before putting in your washer. Be sure that all traces of such liquids, solids, and fumes have been removed. Dangerous substances include acetone, denatured alcohol, gasoline, kerosene, certain liquid household cleaners and spot removers, turpentine, waxes, and wax removers.
 - Do not put gasoline, dry cleaning solvents, or other flammable or explosive substances into the washer.
 - Under certain conditions, hydrogen gas may be produced in a hot water system—such as your hot water heater— that has not been used for two weeks or more. **HYDROGEN GAS IS EXPLOSIVE.** If your hot water system has not been used for two weeks or more, turn on all hot water faucets in your home, and let the water flow for several minutes before using your washer. This will release any hydrogen gas build-up. Since hydrogen gas is flammable, do not smoke or light an open flame during this time.
- Unplug the power cord before servicing your washer.
- Do not reach into the appliance when the tumbler is moving.
- Do not let children play on or in your washer. The washer door isn't easily opened from the inside, and a child could be seriously injured if trapped inside.
- Do not tamper with the controls.
- Do not repair, replace, or service any part of your washer yourself unless you fully understand the recommended user-repair instructions and have the skills to carry them out. Work done by an unauthorized person may void your warranty.
- Store laundry detergents and other laundry supplies in a cool, dry place out of children's reach.
- Do not wash or dry items that are soiled with vegetable or cooking oil. These items may contain some oil after laundering. Due to the remaining oil, the fabric may smoke or catch fire by itself.
- Do not use chlorine bleach, ammonia, or acids (such as vinegar or rust remover) in the same wash. Hazardous fumes can form.
- Do not machine wash fiberglass materials. Small particles can stick to fabrics washed in subsequent loads and cause skin irritation.
- Before disposing of your washer, remove the door so that children or small animals cannot get trapped inside.
- Do not sit on the top of your Washer.
- Inlet hoses are subject to damage and deterioration over time. Check the hoses periodically for bulges, kinks, cuts, wear or leaks, and replace them every five years.
- Ensure pockets are free from small irregularly shaped hard objects or foreign materials, such as coins, knives, pins, etc. These objects could damage your washer.
- Do not wash clothing with large buckles, buttons, or other heavy metal.

SAVE THESE INSTRUCTIONS

INSTALLATION REQUIREMENTS

Tools and Parts

Gather the required tools and parts before starting installation. The parts supplied are in the washer drum.

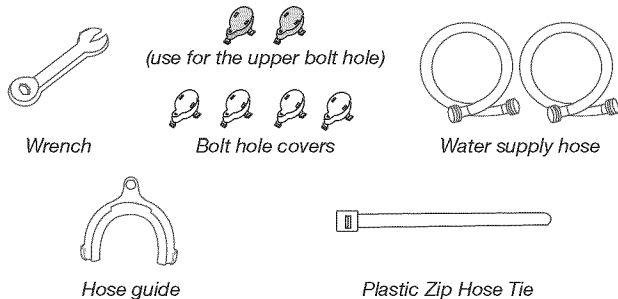
Tools needed for connecting the water inlet hoses

- Pliers
- Flashlight (optional)

Tools needed for installation

- Open end wrenches 17 mm and 13 mm
- Level
- Wood block
- Ruler or measuring tape

Parts supplied



Alternate Parts

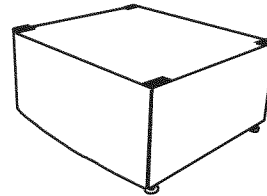
Parts listed are available from your local Sears store or Sears Service Center. For further information, please call **1-800-4-MY-HOME® (1-800-469-4663)**.

If You Have	You Will Need to Buy
Laundry tub or standpipe taller than 96" (2.4 m)	Sump pump system (if not already available)
Overhead sewer	Standard 20 gal. (76 L), 30" (76.2 cm) tall drain tub or utility sink and sump pump (available from local plumbing suppliers)
Drain hose too short	3.3 ft (1.0 m) drain hose extension kit, Part Number DC82-01012A

Options

Pedestal

You have the option of purchasing a pedestal for this washer. You may select a 14"(35.5cm) pedestal. Remember that the pedestal will add to the total height of the unit.



Optional pedestal

To order, call your local Sears store. For further information, please call **1-800-4-MY-HOME® (1-800-469-4663)**.

Pedestal Height	Color	Model Number
14"(35.5cm)	Glacier White	19101
14"(35.5cm)	Imperial Silver	19107

Stacking Kit

Are you on planing to stack your Kenmore washer and dryer?

To do so , purchase an optional stacking kit (Model:18888) from your local Sears store or Sears Service Center. Follow instructions included with the kit. See "Location Requirements."

ENGLISH

Location Requirements

Selecting the proper location for your washer improves performance and minimizes noise and possible washer “walk.”

Your washer can be installed under a custom counter, or in a basement, laundry room, closet, or recessed area. See “Drain System.”

Companion appliance location requirements should also be considered. Proper installation is your responsibility.

You will need

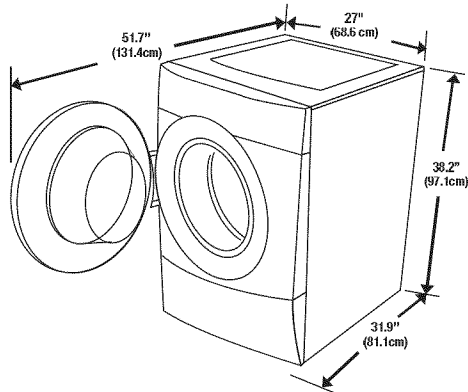
- A water heater set to deliver 120°F (49°C) water to the washer.
- A grounded electrical outlet located within 6 ft (1.8 m) of where the power cord is attached to the back of the washer. See “Electrical Requirements.”
- Hot and cold water faucets located within 4 ft (1.2 m) of the hot and cold water fill valves, and water pressure of 20-100 psi (137.9-689.6 kPa).
- A level floor with a maximum slope of 1" (2.5 cm) under entire washer. Installing the washer on soft floor surfaces, such as carpets or surfaces with foam backing, is not recommended.
- A sturdy and solid floor to support the washer with a total weight (water and load) of 400 lbs (180 kg).

Do not operate your washer in temperatures below 32°F (0°C). Some water can remain in the washer and can cause damage in low temperatures.

Installation clearances

- The location must be large enough to allow the washer door to be fully opened.
- Additional spacing should be considered for ease of installation and servicing. The door opens more than 90° and it is not reversible.
- Additional clearances might be required for wall, door, and floor moldings.
- Additional spacing of 1" (2.5 cm) on all sides of the washer is recommended to reduce noise transfer.
- Companion appliance spacing should also be considered.

Washer Dimensions

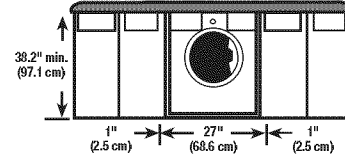


Door is not reversible

Recommended installation spacing for custom undercounter installation

The dimensions shown are for the recommended spacing.

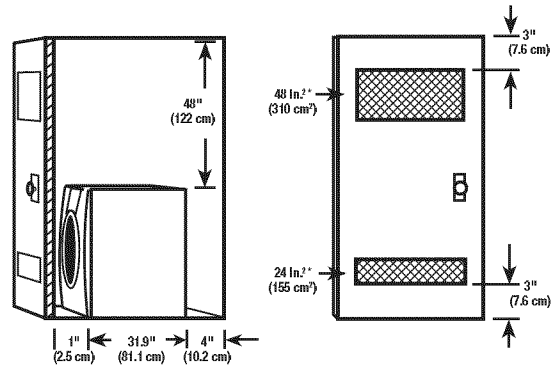
Custom undercounter installation - Washer only



Recommended installation spacing for recessed or closet installation, with or without a pedestal

The dimensions shown are for the recommended spacing.

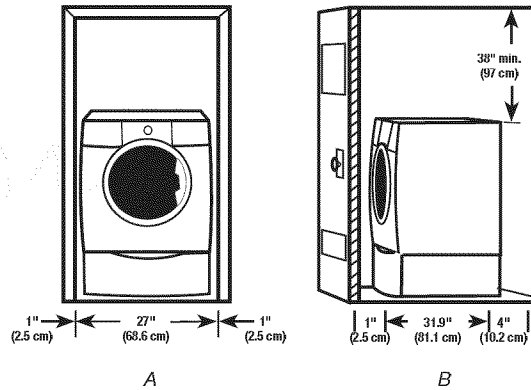
Recessed area or closet installation



A. Side view - closet or confined area
B. Closet door with vents

* Min. top and bottom air openings for closet door.

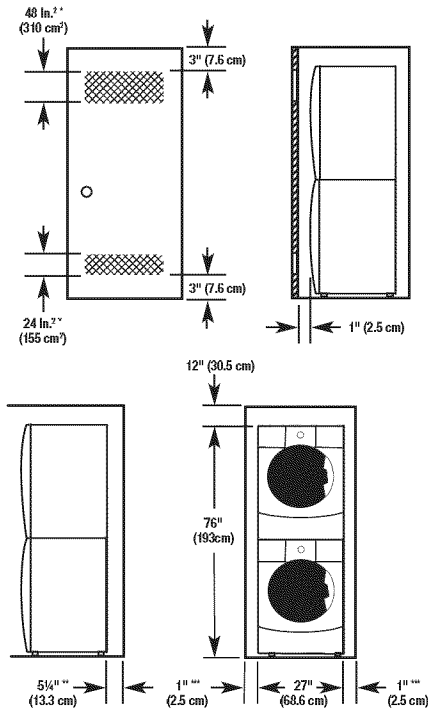
Recessed or closet installation - Washer on pedestal



A. Recessed area
B. Side view - closet or confined area

Recommended installation spacing for recessed or closet installation, with stacked washer and dryer

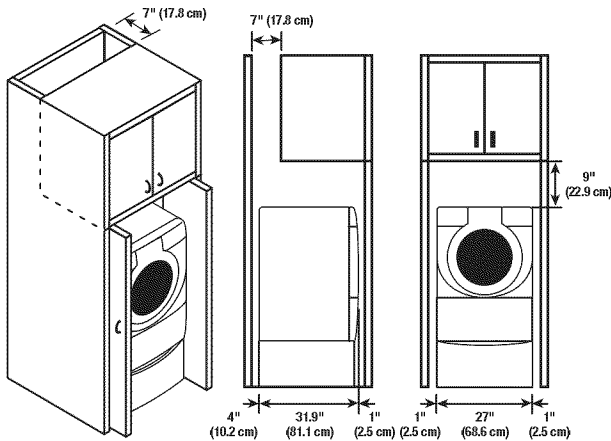
The dimensions shown are for the recommended spacing.



- * Min. top and bottom air openings for closet door.
- ** External exhaust elbow requires additional space.
- *** Wall, door and floor molding may require additional spacing.

Recommended installation spacing for cabinet installation

- The dimensions shown are for the recommended spacing.
- For cabinet installation, with a door, the minimum ventilation openings in the top are required.



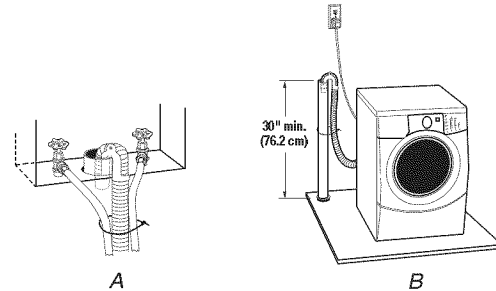
Drain System

The washer can be installed using the standpipe drain system (floor or wall), the laundry tub drain system, or the floor drain system. Select the drain hose installation method you need. See "Tools and Parts."

Standpipe drain system - wall or floor (views A & B)

The standpipe drain requires a minimum diameter standpipe of 2" (5 cm). The minimum carry-away capacity can be no less than 17 gal. (64 L) per minute.

The top of the standpipe must be at least 30" (76.2 cm) high and no higher than 96" (2.4 m) from the bottom of the washer.



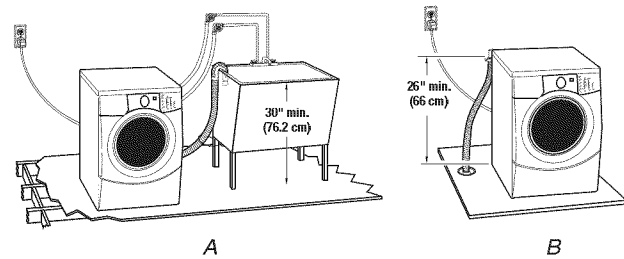
Laundry tub drain system (view A)

The laundry tub needs a minimum 20 gal. (76 L) capacity. The top of the laundry tub must be at least 30" (76.2 cm) above the floor.



Floor drain system (view B)

The floor drain system requires a siphon break that may be purchased separately. See "Tools and Parts."

The siphon break must be a minimum of 28" (71 cm) from the bottom of the washer. Additional hoses might be needed.



Electrical Requirements

Electrical Shock Hazard

Plug into a grounded 3 prong outlet.

Do not remove ground prong.

Do not use an adapter.

Do not use an extension cord.

Failure to follow these instructions can result in death, fire, or electrical shock.

- A 120 volt, 60 Hz., AC only, 15 amp, fused electrical supply is required. A time-delay fuse or circuit breaker is recommended. It is recommended that a separate circuit serving only this appliance be provided.
- This washer is equipped with a power supply cord having a 3 prong grounding plug.
- To minimize possible shock hazard, the cord must be plugged into a mating, 3 prong, grounding-type outlet, grounded in accordance with local codes and ordinances. If a mating outlet is not available, it is the personal responsibility and obligation of the customer to have the properly grounded outlet installed by a qualified electrician.
- If codes permit and a separate ground wire is used, it is recommended that a qualified electrician determine that the ground path is adequate.

- Do not ground to a gas pipe.
- Check with a qualified electrician if you are not sure the washer is properly grounded.
- Do not have a fuse in the neutral or ground circuit.

GROUNDING INSTRUCTIONS

For a grounded, cord-connected washer:

This washer must be grounded. In the event of a malfunction or breakdown, grounding will reduce the risk of electrical shock by providing a path of least resistance for electric current. This washer is equipped with a cord having an equipment-grounding conductor and a grounding plug. The plug must be plugged into an appropriate outlet that is properly installed and grounded in accordance with all local codes and ordinances.

WARNING: Improper connection of the equipment grounding conductor can result in a risk of electric shock. Check with a qualified electrician or serviceman if you are in doubt as to whether the appliance is properly grounded. Do not modify the plug provided with the appliance – if it will not fit the outlet, have a proper outlet installed by a qualified electrician.

For a permanently connected washer:

This washer must be connected to a grounded metal, permanent wiring system, or an equipment grounding conductor must be run with the circuit conductors and connected to the equipment-grounding terminal or lead on the appliance.

INSTALLATION INSTRUCTIONS

Remove Transport System



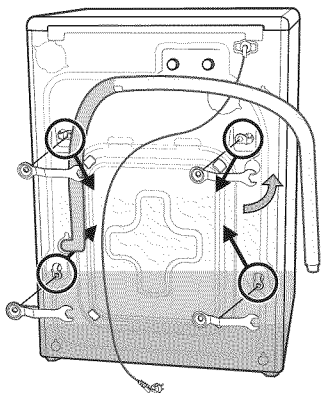
Excessive Weight Hazard

Use two or more people to move and install washer.
Failure to do so can result in back or other injury.

IMPORTANT: Position the washer so that the rear of the unit is within approximately 3 ft (90 cm) of its final location.

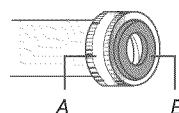
Before using your Washer, you must remove the four shipping bolts from the back of the unit.

1. Loosen all the bolts with the supplied wrench.
2. Slide the bolt and spacer up and remove the bolt with the spacer through the hole in the rear wall of your washer. Repeat for each bolt.
3. Fill the holes with the supplied plastic covers.
4. Keep the shipping bolts and spacers for future use.



Connect the Inlet Hoses

Before Connect the inlet hoses to water faucets, Check to ensure a washer is inside coupling.

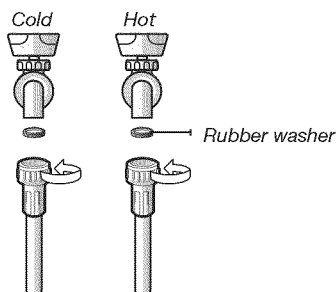


A. Coupling
B. Washer

Connect the inlet hoses to the water faucets

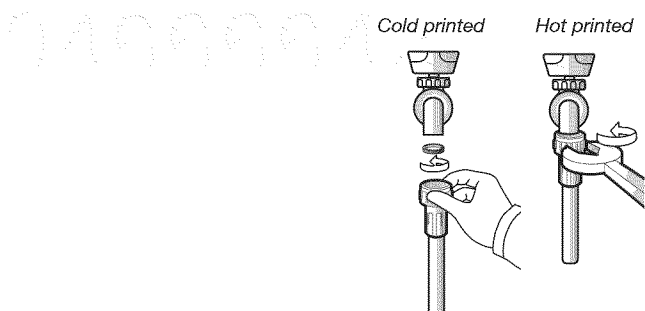
Make sure the washer drum is empty.

1. Check the inlet hose to ensure a washer is inside each fill hose. Thread the inlet hoses to the HOT and COLD faucet connections. On the other end of the hose, check for one rubber washer per hose and install each fill hose to the water valve. Make sure the hose with the Hot printed line is attached to the HOT faucet. Tighten by hand until snug, then two-thirds of a turn with pliers.



NOTE: For correct water use, connect both HOT and COLD water valves. If either or both are not connected, an "nF" (no fill) error can occur.

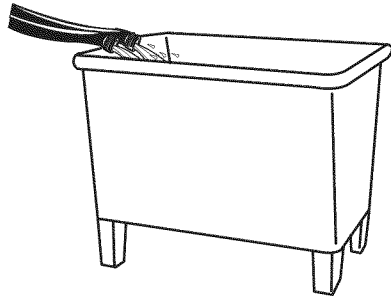
2. Turn on the "HOT" and "COLD" water supply and check all connections at the water valve and the faucet for leaks.



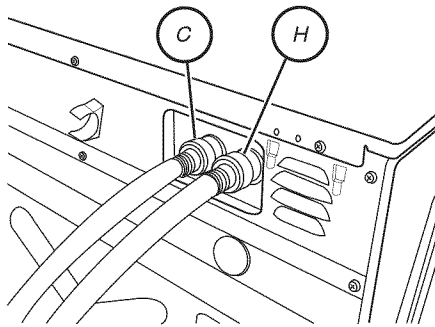
NOTE: Do not overtighten or use tape or sealants on the valve. Damage to the valves can result.

Clear water lines

- Run water through both faucets and inlet hoses, into a laundry tub, drainpipe or bucket, to get rid of particles in the water lines that might clog the inlet valve screens.
- Check the temperature of the water to make sure that the hot water hose is connected to the hot water faucet and that the cold water hose is connected to the cold water faucet.



Connect the inlet hoses to the washer



H. Hot water inlet
C. Cold water inlet

1. Attach the hot water hose to the washer's hot (H) water inlet valve. Screw on coupling by hand until it is seated on the washer.
2. Attach the cold water hose to the washer's cold (C) water faucet. Screw on coupling by hand until it is seated on the washer.
3. Using pliers, tighten the couplings with an additional two-thirds turn.

NOTE: Do not overtighten. Damage to the coupling can result.

4. Turn on the water faucets completely and check for leaks.

NOTE: Replace inlet hoses after 5 years of use to reduce the risk of hose failure. Record hose installation or replacement dates on the hoses for future reference.

Periodically inspect and replace hoses if bulges, kinks, cuts, wear, or leaks are found.

Route the Drain Hose

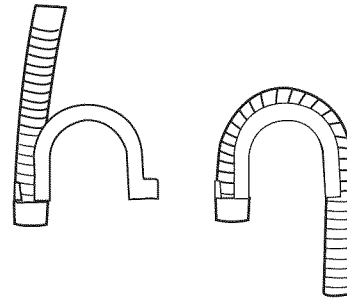
Proper routing of the drain hose protects your floors from damage due to water leakage. Read and follow these instructions.

Remove drain hose from the washer

Gently pull the corrugated drain hose from the shipping clips.

Laundry tub drain or standpipe drain

Connect the drain hose form to the corrugated drain hose.



A

B

A. Snap either end of the drain hose form to the drain hose at the point where the corrugation begins.

B. Bend drain hose over drain hose form and snap into place.

To keep drain water from going back into the washer:

- Do not straighten the drain hose, and do not force excess drain hose into standpipe. Hose should be secure, but loose enough to provide a gap for air.
- Do not lay excess hose on the bottom of the laundry tub.

Floor drain

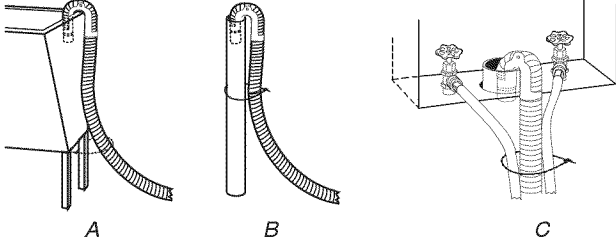
You may need additional parts. See Floor drain under "Tools and Parts."

Part no. for hose extension

DC97-15273A

Secure the Drain Hose

1. Drape the power cord over the washer top.
2. Move the washer to its final location.
3. Place the drain hose in the laundry tub or standpipe as shown. See illustrations A and B.



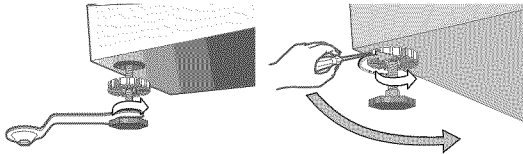
4. If the washer faucets and the drain standpipe are recessed, put the hooked end of the drain hose in the standpipe as shown. See illustration C.

NOTES:

- Do not force excess drain hose back into the rear of the washer.
- To avoid siphoning, do not seal the drain hose into the standpipe.

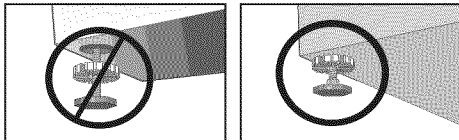
Level the washer

Level your washer by turning the leveling legs in or out as necessary by hand or the wrench included with your washer. When your washer is level, tighten the nuts using the wrench or (-) driver.



NOTES

- Your Washer must be leveled on all four sides. A carpenter's level should be used on all four corners of your Washer. It's a good idea after the first dozen washes to recheck your washer's levelness.
- To avoid damage to the legs, do not move the Washer unless the Lockingnuts are fastened to the bottom of the Washer.



Complete Installation

1. Check the electrical requirements. Be sure that you have the correct electrical supply and the recommended grounding method. See "Electrical Requirements."
2. Check that all parts are now installed. If there is an extra part, go back through the steps to see which step was skipped.
3. Check that you have all of your tools.
4. Dispose of or recycle all packaging materials.
5. Check that the water faucets are on.
6. Check for leaks around faucets and inlet hoses.



Electrical Shock Hazard

Plug into a grounded 3 prong outlet.

Do not remove ground prong.

Do not use an adapter.

Do not use an extension cord.

Failure to follow these instructions can result in death, fire, or electrical shock.

7. Plug into a grounded 3 prong outlet.
8. Read "Washer Use."
9. To test and to clean your washer, using only "HE" High Efficiency detergent, measure $\frac{1}{2}$ the amount of detergent recommended by the manufacture for a medium size load. Pour the detergent into the detergent dispenser. Select NORMAL/CASUAL, and then select START. Allow the washer to complete one whole cycle.



Use only HE High Efficiency detergent.

FEATURES AND BENEFITS

Your new front-loading high efficiency washer, was designed to conserve resources and lower your water and energy bills. The washer is designed to determine and then provide the amount of water needed for the best performance. The time of operation may be greater for this new system than for a conventional washer.

Electronic Controls

Flexible electronic controls are easy to use whether you are a beginner or an expert.

Auto Water Level

Adjusting to the size of the load, this feature allows the washer to use the minimal amount of water needed to clean and rinse the clothes. With a low water level, you can obtain the same results with smaller amounts of additives. Because only the required amount of water is used, the washer saves energy, too. You can obtain the same washing results for small and large load size.

Extra Large Capacity

Even bulky garments and blankets get super clean. The large capacity leaves enough room for a more thorough, cleaner wash.

Suspension System

To reduce washer "walk" and "off-balance" conditions, your new washer combines:

- 2 Springs to isolate vibration
- 4 Shock absorbers at the washer base to minimize movement

Stainless Steel Drum

The stainless steel drum eliminates corrosion and enables higher spin speeds for more water extraction, reducing drying time.

Direct Drive Inverter Motor

The power to handle anything! Our direct-drive inverter motor delivers power right to the washer tub from a variable speed, reversible motor. A beltless direct-drive motor generates a higher spin speed of 1,200 RPM for more effective, quiet operation. The washer also has fewer moving parts.

Spin Speeds

This washer automatically selects the spin speed based on the cycle selected. This factory setting can be changed, however. This washer offers up to three different spin speed choices.

Detergent Advantage System Dispenser

The three compartments in the dispenser allow loading of all laundry additives before the washer is started. The additives will be dispensed into the wash at the optimal time for high performance cleaning. The bleach release system is included in the detergent advantage system. The detergent is added at the beginning of the cycle, and the bleach is added after the enzymes have had a chance to do their cleaning. The Detergent Advantage System Dispenser tray is easily removed for cleaning.



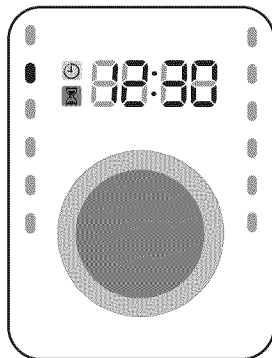
Use only HE High Efficiency detergent.

9999999999

WASHER USE

Models : 4908*

- Steam Cycles**
Vapeur cycles
- Normal
- Heavy Duty
Grande ténacité
- Perm Press
Perm Press
- Sanitize
Stérilisation
- Bedding
Litère
- DEEP STEAM**
Vapeurs profondes



- Delicates
Délicats
- Whites
Blancs
- Wool
Laine
- Express Wash
Lavage rapide
- Rinse+Spin
Rinçage et essorage
- Spin Only
Essorage seulement

Pre Wash Prélavage	Load Sensing		Wash	Rinse	Spin	My Cycle Mon cycle
	● Extra Hot/Cold	● Extra High	● Heavy			
Extra Rinse Rinçage Extra	● Hot/Cold	● High	● ▲			Delay Start Départ retardé
	● Warm/Warm	● Medium	● Normal			
Extended Spin Triage essorage	● Warm/Cold	● Low	● ▼			Cycle Signal Signal de programme ON/OFF
	● Cold/Cold	● No Spin	● Light			
Eco Clean Drum Éco-nettoyage du tambour	Temp. Température de lavage	Spin Vitesse d'essorage	Soil level Souillure	Steam Vapeurs		



Starting Your Washer

Fire Hazard

Never place items in the washer that are dampened with gasoline or other flammable fluids.

No washer can completely remove oil.

Do not dry anything that has ever had any type of oil on it (including cooking oils).

Doing so can result in death, explosion, or fire.

WARNING: To reduce the risk of fire, electric shock, or injury to persons, read the IMPORTANT SAFETY INSTRUCTIONS before operating this appliance.

The following is a guide to using your washer. Please refer to specific sections of this manual for more detailed information.

Do not store laundry products on the top surface of this washer. Vibration is normal during operation.

Using the Proper Detergent

Your Washer is designed to use high efficiency (HE) detergents.

- High efficiency detergents contain suds suppressors that reduce or eliminate suds. When fewer suds are produced, the load tumbles more efficiently and cleaning is maximized.

WARNING: Regular detergent is NOT recommended. Please use only HE detergents.

NOTE: Reducing the amount of detergent may reduce the quality of cleaning. It is important to pre-treat stains, sort carefully by color and soil level, and avoid overloading.

- Brand names are trademarks of their respective manufacturers.



Use only HE High Efficiency detergent.

ENGLISH

First Wash Cycle Without Laundry

Before washing clothes for the first time, choose the Normal/Casual cycle and run it without clothes. Use only HE High Efficiency detergent. Use ½ the manufacturer's recommended amount for a medium sized load. This initial cycle serves to ensure the interior is clean before washing clothes.

For All Wash Cycles

1. Load your Washer.
2. Close the door.
3. Add detergent and additives to the dispenser (see pages 15~16).
4. Select the appropriate cycle and options for the load (see pages 17~20).
5. Press the Start/Pause Button.
6. The Wash Indicator light will illuminate.
7. The estimated cycle time will appear in the display. The time may fluctuate to better indicate the time remaining in the cycle.
NOTE: The actual time required for a cycle may differ from the estimated time in the display depending on the water pressure, water temperature, detergent, and laundry.
8. Before your washer starts to fill, it will make a series of clicking noises to check the door lock and do a quick drain.

NOTE:

- When the cycle is complete, the Door Lock light will go out and "End" will appear in the display.
- DO NOT attempt to open the door until the Door Lock light is off. To add a forgotten item, see "Adding items" section (page 17).
- When your Washer is restarted after a pause, expect a delay of up to 15 seconds before the cycle continues.
- Pressing Power cancels the cycle and stops your washer.
- The Wash, Rinse and Spin indicator lights will illuminate during those portions of the cycle.

WARNING: Do not place anything on top of your washer while it is running.

Using the Dispenser

Your new washer has a dispenser drawer with three separate compartments for your laundry additives—one is for detergent, one is for liquid chlorine bleach, and one is for liquid fabric softener. Laundry additives are diluted and dispensed automatically at the proper time during the wash cycle, making it unnecessary for you to return to the washer during the cycle to add them.

It is normal for small amounts of water to remain in the dispensers when the wash cycle is complete.

Do not put laundry additives directly into the wash tub. Always use the proper dispensers when adding laundry additives.

Choosing the Right Detergent

Use only High Efficiency detergents. The package for this type of detergent will be marked "HE" or "High Efficiency." This wash system, along with less water, will create too much sudsing with a regular non-HE detergent. Using regular detergent will likely result in washer errors, longer cycle times and reduced rinsing performance. It may also result in component failures and noticeable mold or mildew. HE detergents are made to produce the right amount of suds for the best performance. Follow the manufacturer's instructions to determine the amount of detergent to use.



Use only HE High Efficiency detergent.

9999999999

To fill dispenser compartments

Automatic dispenser

Your Washer has separate compartments for dispensing detergent and color-safe bleach, chlorine bleach, and fabric softener. All laundry additives are added to their respective compartments before starting your Washer.

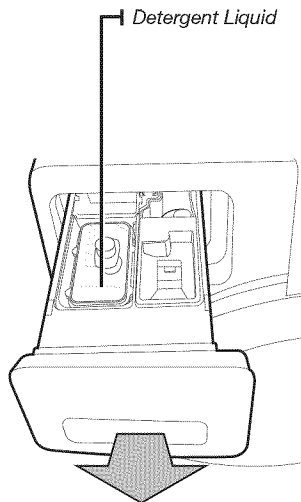
The automatic dispenser **MUST ALWAYS** be in place before starting your Washer.

DO NOT open the automatic dispenser when your Washer is running.

To use:

1. Never exceed the manufacturer's recommendations when adding detergent.
2. This Compartment holds liquid detergent for the main wash cycle, which is added to the load at beginning of cycle.

NOTE: When using powdered detergent, remove the Detergent Liquid from the compartment. Powdered detergent will not dispense with Detergent Liquid.



Detergent compartment

1. Pour the recommended amount of laundry detergent directly into the detergent compartment before starting your Washer.
2. If color-safe bleach is to be used, it should be added with detergent to the detergent compartment.
 - When adding color-safe bleach with detergent, it is best if both laundry products are in the same form – granular or liquid.

Bleach compartment

(Liquid chlorine bleach only)

1. Add chlorine bleach to the bleach compartment. **DO NOT** exceed the MAX FILL line.
2. Avoid splashing or over-filling the compartment.
3. Your Washer automatically dispenses bleach into the tub at the appropriate time.
4. The dispenser automatically dilutes liquid chlorine bleach before it reaches the wash load.

NOTES

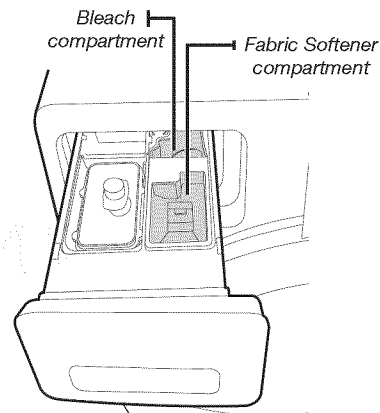
- Never pour undiluted liquid chlorine bleach directly onto the load or into the tub. It is a powerful chemical and can cause fabric damage, such as weakening of the fibers or color loss, if not used properly.
- If you prefer to use color-safe, non-chlorine bleach, add it to the appropriate detergent compartment. **DO NOT** pour color-safe bleach into the Bleach compartment.

Fabric softener compartment

1. Pour the recommended amount of liquid fabric softener into the softener compartment. For smaller loads, use less than one capful.
2. Fabric softener should be diluted with water until it reaches MAX FILL in the compartment.
3. The dispenser automatically releases liquid fabric softener at the proper time during the rinse cycle.

NOTES

- Use the softener compartment **ONLY** for liquid fabric softeners.
- **DO NOT** use the dispensing ball in Fabric softener Compartment with this Washer. It will not add fabric softener at the appropriate time. Use the detergent Compartment.
- Brand names are trademarks of their respective manufacturers.



Pausing or Restarting

1. To pause the washer at any time, press the Start/Pause button.
2. To continue the cycle, press the Start/Pause button.

Changing Cycles, Options and Modifiers

Not all Options are available with all Cycles.

Cycles and Options can be changed anytime before START is selected.

To stop a cycle and select a new cycle

1. Press the Start/Pause button.
2. Select desired cycle.
3. Select the desired OPTIONS.
4. Press the Start/Pause button to restart the washer at the beginning of the new cycle..

To cancel a cycle

1. Press the Start/Pause button.
2. The washer powers down, the door unlocks, and clothes can be removed.

NOTE: If the water level or the temperature is too high, the washer will drain automatically before the door unlocks.

To change Options after the cycle has started

1. Press the Start/Pause button.
2. Select the desired OPTIONS. If the option is not available, the machine will beep.
3. Press the Start/Pause button to continue the cycle.

To drain the washer manually

1. Press the Start/Pause button.
2. Select SPIN ONLY.
3. Press the Start/Pause button to begin the drain.
4. When the spin is complete, the door unlocks. Items can be removed from the washer.

Status Lights

These lights show which portion of the cycle the washer is operating. They also indicate when you can add an additional item to the wash cycle and when the controls are locked.

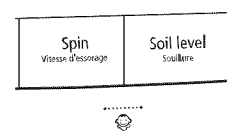


Adding items

You can add or take out laundry items even after the wash has started, as long as the "Garment+" light is on. Pushing the Start/Pause button unlocks the door, unless the water is too hot or if there is too much water in your Washer. If you are able to unlock the door and wish to continue the wash cycle, close the door and press the Start/Pause button.

Locking controls

This function prevents children from playing with your washer.



Activating the Child Lock function

Press and hold both the **Soil Level** and **Cycle Signal** buttons simultaneously for approximately 3 seconds.

- If the Child Lock function is activated, the door is locked and the "Child Lock [🔒]" lamp is lit.
- If the Start/Pause button is pressed after the Child Lock function is activated, none of the buttons will work except for the Power button.
- If a button is pressed when the buttons are locked, the "Child Lock [🔒]" lamp blinks.

Pausing the Child Lock function

When the door is locked or the buttons are locked by the Child Lock function, you can pause the Child Lock operation for 1 minute by pressing and holding both the Spin and Soil Level buttons simultaneously for approximately 3 seconds.

- If Child Lock mode is paused temporarily, the door lock is released for 1 minute for user convenience. During this period, the "Child Lock [🔒]" lamp blinks.
- If the door is opened after the minute is over, an alarm sounds for up to 2 minutes.
- If the door is closed within the 2 minutes, the door is locked and the Child Lock function is reactivated. If the door is closed after the 2 minutes, the door will not be locked automatically and no alarm will be heard.

Deactivating the Child Lock function

Press and hold both the Spin and Soil Level buttons simultaneously for approximately 6 seconds.

- If the Child Lock function is deactivated, the door is unlocked and the "Child Lock [🔒]" is turned off.
- Child Lock is a function to prevent children or the infirm from accidentally operating the washer and injuring themselves.
- If a child enters the washing machine, the child may become trapped and suffocate.

- Once the Child Lock function is activated, the Child Lock function continuous working even if the power is turned off.
- Opening the door by force can result in injury due to damage to the product.

NOTE: To add laundry when the Child Lock function is activated, you have to first pause or deactivate the Child Lock function.

NOTE: If you want to open the door of the washing machine when the Child Lock function is activated:

- Pause or deactivate the Child Lock function.
- Turn the washing machine off and then on again.

Expected Cycle Time

The cycle times vary automatically based on your water pressure, water temperature, detergent, and clothes load. The cycle time will be extended if oversudsing occurs or the load is unbalanced.

The suds reduction routine removes extra suds and assures proper rinsing of your garments. The options you select will also affect the cycle times that are shown in the Preset Cycle Settings table.

Door Locked

When the status light illuminates, the door is locked.

Cycles

Wash Cycles

Choose Wash Cycles by rotating the Cycles selector knob to the desired cycle. The indicator light for the cycle selected will illuminate. Each cycle is designed for different types of fabric and soil levels.

Models : 4908*

Steam Cycles

Vapeur cycles

Normal

Heavy Duty

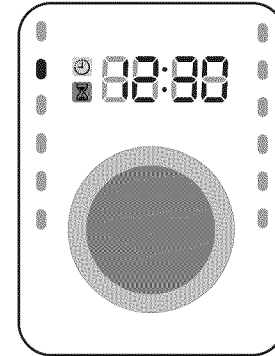
Perm Press

Sanitize

Bedding

DEEP STEAM

Vapeurs profondes



Delicates

Whites

Wool

Express Wash

Rinse+Spin

Spin Only

- Each cycle has a preset cycle time, WASH/RINSE TEMP, SPIN SPEED and may have preset Options and Modifiers. The preset settings provide the recommended fabric care for the selected cycle.

Preset Cycle Settings

(●: factory setting, ○: selectable)

	Functions												
	Temp					Spin					Soil Level		
	EH/C	H/C	W/W	W/C	C/C	EH	H	M	L	NS	H	N	L
Normal		○		●	○	○	●	○	○	○	○	●	○
Heavy Duty		●	○	○	○	●	○	○	○	○	●	○	○
Perm Press			○	●	○		○	○	●	○	○	●	○
Sanitize	●					●	○	○	○	○	○	●	○
Bedding			●	○	○			○	●	○	○	●	○
Deep Steam		●				○	●	○	○	○	●		
Delicates			○	○	●				●	○	○	●	○
Whites		○	○	●	○	●	○	○	○	○	○	●	○
Wool				●	○				●	○		●	
Express Wash		○	○	●	○	○	●	○	○	○	○	○	●
Rinse + Spin					●	○	●	○	○	○			
Spin Only						○	●	○	○	○			
Eco Clean drum	●							●					

	Options								Display Time
	Pre Wash	Extra Rinse	Extended spin	My cycle	Delay Start	Steam	Garment+	Child Lock	
Normal	○	○	○	○	○	-	○	○	58
Heavy Duty	●	○	○	○	○	○	○	○	1:44
Perm Press	○	○	○	○	○	○	○	○	52
Sanitize	○	○	○	○	○	○	○	○	1:57
Bedding	○	●	○	○	○	○	○	○	1:16
Deep Steam	○	○	○	○	○	●	○	○	1:48
Delicates		○		○	○		○	○	45
Whites	○	●	○	○	○		○	○	1:15
Wool				○	○		○	○	1:00
Express Wash		○		○	○		○	○	26
Rinse + Spin		○		○	○			○	19
Spin Only				○	○			○	12
Eco Clean drum				○	○			○	1:34

Temp	Spin	Soil Level
EH/C: Extra Hot/ Cold	EH: Extra High	H: Heavy
H/C: Hot/Cold	H: High	▲
W/W: Warm/Warm	M: Medium	N: Normal
W/C: Warm/Cold	L: Low	▼
C/C: Cold/Cold	NS: No Spin	L: Light

Normal

For most fabrics including cottons, linens, and normally soiled garments.

Heavy Duty

For sturdy, colorfast fabrics and heavily soiled garments.

Whites

For white fabrics with or without bleach.

Perm Press

For wash-and-wear, synthetic fabrics, and lightly to normally soiled garments.

Sanitize

For heavily soiled, colorfast garments. This cycle heats the water to 150°F(65.6°C) to eliminate bacteria.

Bedding

For bulky items such as blankets and sheets. When you are washing comforters, use liquid detergent.

Deep Steam

For heavily soiled, colorfast garments, this cycle provides high washing temperature and steam and is efficient in cleaning stains.

Delicates

For sheer fabrics, bras, lingerie silk, and other handwash-only fabrics. For best results, use liquid detergent.

Wool

For machine-washable wool. Loads should be under 8 pounds.

Express Wash

For lightly soiled garments needed quickly.

Rinse + Spin

Use for loads that need rinsing only or to add rinse-added fabric softener to a load.

Spin Only

Provides a spin to remove more water.

Normal Sounds

As with any new product, you will hear sounds that you are not accustomed to. You may hear various sounds when the door is locked or unlocked, and during the washing, rinsing, or spinning process. Between changes in wash actions, there will be momentary pauses. You will hear water spraying and splashing during the wash and rinse cycles. These new sounds and pauses are part of normal washer operation. See "Troubleshooting."

Options

Temperature selection button

Press the button repeatedly to cycle through the different water temperature options.



- Extra Hot/Cold - Heavily soiled, colorfast items. Only available with the Sanitize cycle.
- Hot/Cold - Whites and heavily soiled, colorfast items.
- Warm/Warm - Colorfast items. When warm rinse is selected, only the final rinse will be warm. The other rinses will be cold to conserve energy.
- Warm/Cold - Moderately soiled, colorfast items; most wrinkle-free items.
- Cold/Cold - Brightly colored, very lightly soiled items.

Spin selection button

Press the button repeatedly to cycle through the different spin speed options.



- Extra High - Removes more water from loads during spin. To minimize wrinkling of wrinkle-free and no-iron fabrics, DO NOT use the Extra High spin option for these loads, nor overload your washer.
- High - Use for underwear, t-shirts, jeans and sturdy cottons.
- Medium - Use for jeans, wrinkle-free or wash-and-wear items and synthetics.
- Low - Use for delicate items needing a slow spin speed.
- No Spin - Drains your washer without spinning. Use for extremely delicate items that cannot tolerate any spin.

Soil Level selection button

Press the button to select the soil level/washing time.



- Heavy - For heavily soiled loads.
- ▲
- Normal - For moderately soiled loads. This setting is best for most loads.
- ▼
- Light - For lightly soiled loads.

Eco Clean Drum

Use for drum cleaning. It cleanses drum of dirt and bacteria. Regular use (after every 40 washes) is recommended. No detergent or bleach needed.



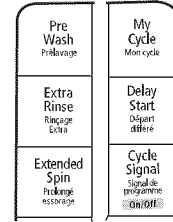
Steam

Press this button to use steam. Steam Care is available with Heavy Duty, Normal, Whites, Perm Press, Sanitize, Towels, Bedding cycles. For heavily soiled, colorfast garments. Steam care improves stain treatment and use less water of each cycle.



Select Cycle Option

Press these buttons to select different cycle options.



- Pre Wash - To use this feature add detergent to the pre wash section of the detergent compartment. When turned on, the washer fills with cold water and detergent, tumbles, then drains and advances to the selected wash cycle. Some cycles cannot be selected with this option. You cannot select the prewash option in the Delicate, Wool, Express Wash, Hand Wash, Rinse+Spin, and Spin Only cycles.
- Extra Rinse - Add an additional rinse at the end of the cycle to more thoroughly remove laundry additives and perfumes.
- Extended Spin - Add additional time to remove more water from loads.
- My Cycle - Choose your favorite cycle including temperature, spin, soil level, option, etc.
- Delay Start - Any cycle can be delayed for up to 24 hours in one-hour increments. Displayed hour indicates the time at which the wash will be started.
- Cycle Signal - Press the button to turn on or turn off the signal.

Temperature Guide

Wash Water Temperature	Suggested Fabrics
EXTRA HOT/COLD	Heavy Soils and Bright colors.
HOT/COLD	Whites and pastels Heavy Soils
WARM/WARM	Bright colors Moderate to light soils
WARM/COLD	Bright colors Moderate to light soils Most wrinkle-free items
COLD/COLD	Colors that bleed or fade Light soils

In wash water temperatures colder than 60°F (15.6°C), detergents do not dissolve well. Soils may be difficult to remove.

LAUNDRY TIPS

Preparing clothes for washing

Follow these recommendations to help you prolong the life of your garments.

- Use only High Efficiency detergents. The package for this type of detergent will be marked “HE” or “High Efficiency.” This wash system, along with less water, will create too much sudsing with a regular non-HE detergent. Using regular detergent will likely result in washer errors, longer cycle times and reduced rinsing performance. It may also result in component failures and noticeable mold or mildew. HE detergents are made to produce the right amount of suds for the best performance. Follow the manufacturer’s instructions to determine the amount of detergent to use.



Use only HE High Efficiency detergent.

- Close zippers, snaps, and hooks to avoid snagging other items. Remove pins, buckles, and other hard objects to avoid scratching the washer interior. Remove non-washable trim and ornaments.
- Empty pockets and turn them inside-out.
- Turn down cuffs; brush away lint and dirt.
- Turn synthetic knits inside-out to avoid pilling.
- Tie strings and sashes so they will not tangle.
- Mend tears, loose hems, and seams.
- Treat spots and stains.
- Stained or wet garments should be washed promptly for best results.
- Mix large and small items, avoid washing single items, and load evenly.
- Wash small items, such as infant socks, in a mesh garment bags. To create a balanced load it is recommend that more than one garment bag be used, and that each garment bag be filled with equal amounts of material.

NOTE: If you are washing only small items, it is recommend that more than one mesh garment bag be used, and that each garment bag be filled with equal amounts of material.

Sorting

- Separate heavily soiled items from lightly soiled ones, even if they would normally be washed together. Separate lint-givers (towels, chenille) from lint-takers (corduroy, synthetics, permanent press). When possible, turn lint-givers inside-out.
- Separate dark colors from light colors, colorfast items from noncolorfast items.
- Sort by fabric and construction (sturdy cottons, knits, delicate items).

Unloading

- Remove clothes from washer after the cycle is completed. Metal objects such as zippers, snaps, and buckles may rust if left in the washer basket for a long time.
- When unloading garments, occasionally check under the rubber rim at the front of the tub for small items.

Loading

Loading suggestions (maximum size loads)

Heavy Work Clothes

2 pair pants	3 pair jeans
3 shirts	1 coverall

Mixed Load

2 double sheets or 1 king size sheet(s)	6 pair shorts
4 pillowcases	2 blouses
6 T-shirts	6 handkerchiefs

Towels

8 bath towels	10 washcloths
8 hand towels	1 bath mat











Delicates

3 camisoles	2 bras
4 slips	2 nighties
4 panties	

EXPRESS WASH cycle

(2-3 garments)	2 dress shirt
	1 pair dress pants

Stain Removal Guide

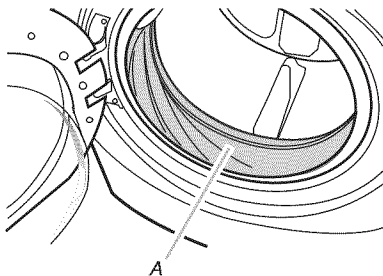
Stain	Use Liquid Chlorine or Color-Save Bleach	Use suggested Wash Cycle	Stain	Use Liquid Chlorine or Color-Save Bleach	Use suggested Wash Cycle
 Ink	✓	Whites	 Grass	✓	Whites
 Blood	✓	Cold or Warm Normal	 Tomato Products	✓	Whites
 Coffee/Chocolate	✓	Warm Whites	 Mud	✓	Warm Whites
 Cosmetics		Heavy Duty	 Deodorants		Heavy Duty
 Dirty Motor Oil		Warm Heavy Duty	 Ring around the Collar	✓	Normal

WASHER CARE

Cleaning Your Washer

Cleaning the door seal/bellow

1. Open the washer door and remove any clothing or items from the washer.
2. Inspect the gray colored seal/bellow between the door opening and the basket for stained areas. Pull back the seal/bellow to inspect all areas under the seal/bellow and to check for foreign objects.



A. Seal/Bellow

3. If stained areas are found, wipe down these areas of the seal/bellow, using the procedure that follows.
 - a) Mix a dilute solution, using $\frac{3}{4}$ cup (177 mL) of liquid chlorine bleach, and 1 gal. (3.8 L) of warm tap water.
 - b) Wipe the seal/bellow area with the dilute solution, using a damp cloth.
 - c) Let stand 5 minutes.
 - d) Wipe down area thoroughly with a dry cloth and let the washer interior air dry with door open.

IMPORTANT:

- Wear rubber gloves when cleaning for prolonged periods.
- Refer to the bleach manufacturer's instructions for proper use.

Cleaning the exterior

Turn off the water faucets after finishing the day's washing.

This will shut off the water supply to your Washer and prevent the unlikely possibility of damage from escaping water. Leave the door open to allow the inside of your Washer to dry out.

Use a soft cloth to wipe up all detergent, bleach or other spills as they occur.

Clean the following as recommended:

Control Panel – Clean with a soft, damp cloth. Do not use abrasive powders or cleaning pads. Do not spray cleaners directly on the panel.

Cabinet – Clean with soap and water.

Cleaning the interior

Clean the interior of your Washer periodically to remove any dirt, soil, odor, mold, mildew, or bacterial residue that may remain in your Washer as a result of washing clothes.

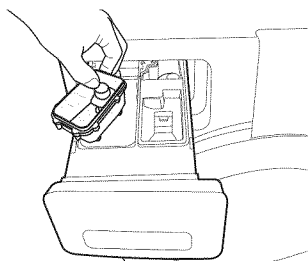
Failure to follow these instructions may result in unpleasant conditions, including odors and/or permanent stains on your Washer or laundry.

Hard water deposits may be removed, if needed. Use a cleaner labeled "Washer safe".

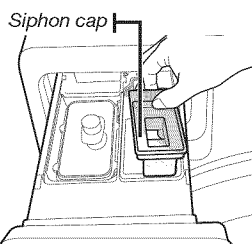
Cleaning the dispensers

The automatic dispenser may need to be cleaned periodically due to laundry additive buildup.

1. Pull out the detergent liquid from detergent compartment.



2. Remove the siphon cap from the fabric softener and bleach compartments.



3. Wash all of the parts under running water.
4. Clean the dispenser recess with a soft brush.
5. Reinsert the siphon cap and push it firmly into place.
6. Push the dispenser back into place.
7. Run a Rinse+Spin cycle without any load in your washer.

Storing your washer

Washers can be damaged if water is not removed from hoses and internal components before storage.

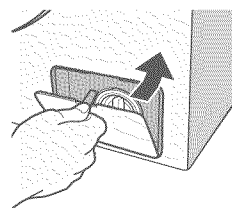
Prepare your Washer for storage as follows:

- Select the Express Wash cycle and add bleach to the automatic dispenser. Run your Washer through the cycle without a load.
- Turn the water faucets off and disconnect the inlet hoses.
- Unplug your Washer from the electrical outlet and leave your Washer door open to let air circulate inside the tumbler.
- If your Washer has been stored in below-freezing temperatures, allow time for any leftover water in your Washer to thaw out before use.

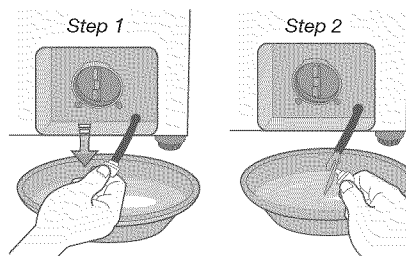
Cleaning the debris filter

We recommend cleaning the debris filter when water does not drain well.

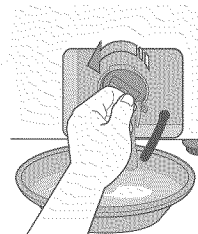
1. Open the filter cover by using a key or coin.



2. Unscrew the drain cap by turning it counterclockwise.
3. Hold the cap on the end of the drain tube and slowly pull it

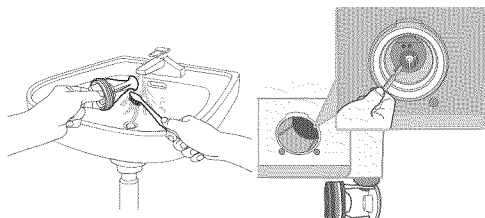


out about 6 inches (15cm) and drain off all the water.

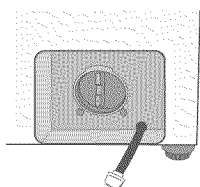


4. Remove the debris filter cap.

5. Wash any dirt or other material from the debris filter. Make sure the drain pump propeller behind the debris filter is not blocked.



6. Replace the debris filter cap.
7. Replace the filter cover.
8. Close up the opening of drain tube with cap.



9. Don't insert the drain tube in the hole.

Water Inlet Hoses

Replace inlet hoses after five years of use to reduce the risk of hose failure. Periodically inspect and replace inlet hoses if bulges, kinks, cuts, wear or leaks are found. When replacing your inlet hoses, record the date of replacement.

Vacation, Storage, and Moving Care

Install and store your washer where it will not freeze. Because some water may stay in the hoses, freezing can damage your washer. If storing or moving your washer during freezing weather, winterize it.

Non-use or vacation care:

Operate your washer only when you are at home. If you will be on vacation or not using your washer for an extended period of time, you should:

- Unplug washer or disconnect power.
- Turn off the water supply to the washer. This helps avoid accidental flooding (due to a water pressure surge) while you are away.
- Slightly open door to provide ventilation.

To winterize washer:

1. Put 1 qt (1 L) of R.V.-type antifreeze in the drum.
2. Run washer on a Drain & Spin cycle.
3. Unplug washer or disconnect power.
4. Shut off both water faucets.
5. Disconnect water inlet hoses from faucets and drain.

To use washer again:

1. Flush water pipes.
2. Reconnect water inlet hoses to faucets.
3. Turn on both water faucets.



Electrical Shock Hazard

Plug into a grounded 3 prong outlet.

Do not remove ground prong.

Do not use an adapter.

Do not use an extension cord.

Failure to follow these instructions can result in death, fire, or electrical shock.

4. Plug in washer or reconnect power.
5. Run the washer through the Normal/Casual cycle. Use only HE High Efficiency detergent. Use $\frac{1}{4}$ the manufacturer's recommended amount for a medium sized load.

To transport the washer:

1. If washer will be moved during freezing weather, put in 1 qt (1 L) of R.V.-type antifreeze in the drum. Run washer on a Drain & Spin cycle.
2. Unplug the power cord.
3. Disconnect the drain hose from the drain system and attach to rear panel clips.
4. Shut off both water faucets.
5. Disconnect the water inlet hoses from faucets, then drain the hoses and clip them to the rear panel of the washer.
6. **IMPORTANT:** Call service. Reinsert the shipping bolts to minimize internal washer damage that may occur during transportation. Upon completion of moving, please do not forget to remove shipping bolts prior to installation, and keep them for future use. Unit must be transported in the upright position. To avoid suspension and structural damage, your machine must be properly set up for relocation by a certified technician.

Reinstalling the washer

1. Follow the "Installation Instructions" to locate, level and connect the washer.
2. Run the washer through the Normal/Casual cycle to clean the washer and remove the antifreeze, if used. Use only HE High Efficiency detergent. Use $\frac{1}{4}$ the manufacturer's recommended amount for a medium sized load.

TROUBLESHOOTING

First try the solutions suggested here to possibly avoid the cost of a service call...

Washer and Components

Error codes

- **“dc” - Unbalanced load prevented your Washer from spinning.**
Redistribute the load, press the Start/Pause Button.
- **“dL” - Door is unlocked when Washer is running.**
Press the Power button to turn off your Washer, then restart the cycle. If the code reappears, call for service.
- **“dS” - Door is open when Washer is running.**
Close the door tightly and restart the cycle. If the code reappears, call for service.
- **“FL” - Your Washer failed to lock the door.**
Close the door tightly and restart the cycle.
If the code reappears, call for service.
- **“Hr” - Water temperature control problem. (Heater Control problem)**
Call for service.
- **“LE” - Your Washer has tried to fill but has not reached the proper water level.**
Call for service.
- **“LO” - The door will not unlock.**
Make sure the door is firmly closed.
Push the Power button to turn off your Washer, then turn it on again. If the code reappears, call for service.
- **“3E” - Motor not running properly.**
Restart the cycle pressing the Start/Pause Button. If the code reappears, call for service.
- **“nd” - Your washer is not draining. It can also mean that the unit senses a small clog while draining.**
Before calling for service, check the following.
 - 1) Turn off the unit and turn it on again.
 - 2) Select only the Spin Cycle.
 - 3) Press the Start/Pause to drain the water.If it still does not drain, call for service.
- **“nF” - Your Washer has tried to fill but was unsuccessful.**
Turn the machine off. Make sure the water faucets are open all the way. Turn the machine on to check for kinked hoses. Turn the machine off. Then turn the machine on again to check the inlet screens on the fill hoses. If all looks good, press the Power button to activate the machine.
- **“nF1” - This occurs when high-temperature water is supplied during the Wool course because the Hot and Cold valves are incorrectly connected.**
- **“Sr” - Problem with control.**
Call for service.
- **“OE” - A fault is detected in the water level sensor.**
Call for service.

- **“E2” - Jammed Key.**
Call for service.
- **“7E” - Ag+ Kit problem.**
Call for service.
- **“AE” - Communication error between SUB PBA and MAIN PBA.**
Call for service.
- **“SF1”, “SF2”, “SF3” - System Error.**
Call for service.
- **“tE” - Temperature sensor problem.**
Restart the cycle.
If the code reappears, call for service.
- **“2E” - High/Low voltage detected.**
Restart the cycle.
If the code reappears, call for service.
- **“SUDS” - Too many suds are detected during the washing session. The unit is put on hold until the suds are reduced. Then, the unit will go back to the operation. When it finishes washing, End and Sd codes will blink in turn.**
To prevent it, cut down on detergents.

Noisy, vibrating, off-balance

- **Is the washer level?**
The washer must be level. The four feet should be properly installed, and the nuts should be tightened against the washer cabinet.
All four feet of the washer must be in firm contact with the floor. If the washer is on a pedestal, the washer must be secured to the pedestal and all four pedestal feet must be in firm contact with the floor.
- **Washer making a different noise?**
As with any new product, you will hear sounds that you are not accustomed to. You may hear various sounds when the door is locked or unlocked, and during the washing, rinsing, or spinning process. Between changes in wash actions, there will be momentary pauses. You will hear water spraying and splashing during the wash and rinse cycles. These new sounds and pauses are part of normal washer operation.
- **Is washer installed on a sturdy and solid floor?**
Refer to the “Installation Instructions” for flooring requirements. Noise and vibration may be reduced by placing a piece of ¾” (19.1 mm) plywood underneath your washer.
The plywood may extend underneath both washer and dryer to keep them at equal heights.
- **Is the washer gurgling or humming?**
As water is drained from the washer, you may hear air being pulled through the pump. This happens during the end of draining. It is normal.

ENGLISH

■ **Are you washing items with metal snaps, buckles or zippers?**

You may hear metal items touching the washer drum. This is normal.

■ **Were the 4 shipping bolts in the back of the machine removed?**

See "Remove Transport System."

Leaking

■ **Was the door opened during "Add a garment"?**

Water can drip off the inside of the door when opened after the start of a cycle.

■ **Is HE detergent being used?**

The non-High Efficiency detergents can cause over sudsing which can leak from the rear of the washer.

■ **Are the fill hoses tight?**

■ **Are the fill hose gaskets properly seated?**

Check both ends of each hose. See "Connect the Inlet Hoses" in the Installation Instructions.

■ **Is the drain hose properly installed?**

The drain hose should be secured to the drainpipe or laundry tub. See "Secure Drain Hose" in the Installation Instructions.

■ **Is the sink or drain clogged?**

Sink and drainpipe must be able to carry away 17 gal. (64 L) of water per minute. If clogged or slow, water can back up out of drainpipe or sink. Check household plumbing (laundry tubs, faucets, drainpipe, water pipes) for leaks.

Dispenser operation

■ **Did you follow the manufacturer's directions when adding detergent and fabric softener to the dispensers?**

Measure detergent and fabric softener. Slowly pour into the dispensers. Wipe up all spills. Dilute fabric softener in the fabric softener dispenser.

■ **Did you put powdered or liquid color-safe bleach into the liquid chlorine bleach dispenser (on some models)?**

Add powdered or liquid color-safe bleach to the Main Wash compartment. Do not use the chlorine bleach dispenser for color-safe bleach.

■ **Is the fabric softener dispenser clogged?**

Clean the fabric softener dispenser. See "Washer Care" for details.

■ **Are the laundry products in the correct dispenser compartment?**

Add the correct amounts of detergent, fabric softener or liquid chlorine bleach to the correct compartments. Add powdered or liquid color-safe bleach to the Main Wash compartment. Be sure to match powdered color-safe bleach with powdered detergent or match liquid color-safe bleach with liquid detergent.

■ **Is there water in the dispenser at the end of the cycle?**

A small amount of water will remain in the dispenser compartment. This is normal.

Washer odor

■ **See "Cleaning Your Washer" in "Washer Care."**

■ **Are you using HE detergent?**

Use of non-HE detergent can cause a film residue which can result in odor.

■ **Did you leave the door open after use?**

This washer has a tight seal to avoid water leaks. To avoid odors leave the door open to allow the washer to dry between uses.

Door won't unlock

■ **Did all of the water drain out of the washer during the spin?**

Select DRAIN & SPIN to remove any water remaining in the washer. The washer door will unlock at the end of the drain.

■ **Is the door locked and is the "Add a garment" light on?**

Press the Start/Pause button. The door will unlock.

Washer Operation

Will not start..

- Make sure the door is firmly closed.
- Make sure your Washer is plugged in.
- Make sure the water source faucets are open.
- Make sure to press the Start/Pause Button to start your Washer.
- Make sure the Child Lock is not activated; see page 14.
- Before your Washer starts to fill, it will make a series of clicking noises to check the door lock and do a quick drain.
- Check the fuse or reset the circuit breaker

Has no water or not enough water..

- Turn both faucets on fully.
- Make sure the door is tightly closed.
- Straighten the water inlet hoses.
- Disconnect hoses and clean screens. Hose filter screens may be clogged.
- Open and close the door, then press the Start/Pause Button.

Has detergent remains in the automatic dispenser after the wash cycle is complete.

- Make sure your Washer is running with sufficient water pressure.
- Make sure the Detergent Selector dial is in the upper position when using granular detergent.

Vibrates or is too noisy.

- Make sure your Washer is set on a level surface. If the surface is not level, adjust your Washer feet to level the appliance.
- Make sure that the shipping bolts are removed.
- Make sure your Washer is not touching any other object.
- Make sure the laundry load is balanced.

Stops.

- Plug the power cord into a live electrical outlet.
- Check the fuse or reset the circuit breaker.
- Close the door and press the Start/Pause Button to start your Washer.
For your safety, your Washer will not tumble or spin unless the door is closed.
- Before your Washer starts to fill, it will make a series of clicking noises to check the door lock and do a quick drain.
- There may be a pause or soak period in the cycle. Wait briefly and it may start.
- Check the screens on the inlet hoses at the faucets for obstructions.
Clean the screens periodically.

Fills with the wrong temperature water.

- Turn both faucets on fully.
- Make sure the temperature selection is correct.
- Make sure the hoses are connected to the correct faucets. Flush water lines.
- Disconnect the hoses and clean the screens. The hose filter screens may be clogged.
- As your Washer is filling, the water temperature may change as the automatic temperature control feature checks incoming water temperature. This is normal.
- While your Washer is filling, you may notice just hot and/or just cold water going through the dispenser when cold or warm wash temperatures are selected. This is a normal function of the automatic temperature control feature as your Washer determines the temperature of the water.

Door locked or will not open.

- Press the Start/Pause Button to stop your Washer.
- Your Washer door will remain locked during the heating portion of the Sanitize Cycle
- It may take a few moments for the door lock mechanism to disengage.

Does not drain and/or spin.

- Check the fuse or reset the circuit breaker.
- Straighten the drain hoses. Eliminate kinked hoses. If there is a drain restriction, call for service.
- Close the door and press the Start/Pause Button. For your safety, your Washer will not tumble or spin unless the door is closed.

Load is too wet at the end of the cycle.

- Use the High or Extra High spin speed.
- Use high efficiency detergent to reduce over-sudsing.
- Load is too small. Very small loads (one or two items) may become unbalanced and not spin out completely.

Leaks water.

- Make sure the door is firmly closed.
- Make sure all hose connections are tight.
- Make sure the end of the drain hose is correctly inserted and secured to the drainage system.
- Avoid overloading.
- Use high efficiency detergent to prevent over-sudsing.

Has excessive suds.

- Use high efficiency detergent to prevent over-sudsing.
- Reduce the detergent amount for soft water, small or lightly soiled loads.
- Non-HE detergent is NOT recommended.

Clothes Care

Load too wet

■ **Did you use the right cycle for the load being washed?**

Select a cycle with a higher spin speed.

■ **Did you wash a single item or bulky items or have you overloaded the washer?**

A single item, bulky items, or overloading may cause imbalance. Add items or try to evenly distribute your wet laundry in the drum, and start a Drain & Spin cycle. If the laundry is still wet, take half of the load out of the washer and try again.

■ **Did you use HE detergent?**

Suds during rinse and spin cycles can reduce spin speed. Use HE detergent. Residue, lint, stains on load; gray whites, dingy colors

■ **Did you add detergent to the dispenser?**

For best results, add detergent to the detergent compartment. Do not add detergent to the washer drum.

■ **Did you sort properly?**

Sort lint givers (towels, chenille) from lint takers (corduroy, synthetics). Dye transfer can occur when mixing whites and colors in a load. Sort dark clothes from whites and lights.

■ **Did you overload the washer?**

Do not overload the washer. The washer can be fully loaded, but not tightly packed. The wash load must be balanced. Lint can be trapped in the load if overloaded.

■ **Check the following:**

Was paper or tissue left in pockets?

■ **Did you use enough HE detergent?**

Follow manufacturer's recommendations for the type of load you are washing. For best performance, use only High Efficiency detergent. Use enough detergent to remove soil and hold it in suspension.

■ **Do you have hard water?**

Use more detergent for washing heavy soils in cold or hard water.

■ **Is your water colder than 60°F (15.6°C)?**

Wash water colder than 60°F (15.6°C) may not completely dissolve the detergent. Use hot or warm washes if safe for the fabric load. Make sure your hot water system is adequate to provide a hot water wash.

■ **Are you using a low speed wash cycle?**

Powdered detergents may not dissolve well in a slow-speed cycle. For best results, use liquid detergent for slow-speed cycles such as Delicates.

■ **Did you unload the washer promptly?**

To avoid dye transfer, unload the washer as soon as it stops.

■ **Did you use a fabric softener dispensing ball?**

Dispensing balls will not operate correctly with this washer. Add liquid fabric softener to the fabric softener compartment.

■ **Did you use powdered detergent in a low-speed cycle?**

Consider using liquid detergent.

■ **Did you use Express Wash on a large load?**

For best results, use Express Wash for small, lightly soiled loads.

Load is wrinkled, twisted, tangled

■ **Did you unload the washer promptly?**

Unload the washer as soon as it stops.

■ **Did you use the right cycle for the load being washed?**

Use the Delicates cycle or another cycle with a low spin speed to reduce wrinkling.

■ **Did you overload the washer?**

The wash load must be balanced and not overloaded. Loads should tumble freely during washing.

■ **Was the wash water warm enough to relax wrinkles?**

If safe for load, use warm or hot wash water.

■ **Are the hot and cold water hoses reversed?**

Check to be sure the hot and cold water hoses are connected to the right faucets. A hot rinse followed by spin will cause wrinkling. See "Connect the Inlet Hoses" in the Installation Instructions.

Notes

ENGLISH

94999942

Get it fixed, at your home or ours!

Your Home

For repair - **in your home** - of **all** major brand appliances, lawn and garden equipment, or heating and cooling systems, **no matter who made it, no matter who sold it!**

For the replacement parts, accessories and owner's manuals that you need to do-it-yourself.

For Sears professional installation of home appliances and items like garage door openers and water heaters.

1-800-4-MY-HOME® (1-800-469-4663)

Call anytime, day or night (Canada)

www.sears.ca

To purchase a protection agreement (Canada)
on a product serviced by Sears:

1-800-361-6665 (Canada)

Au Canada pour service en français:

1-800-LE-FOYER^{MC}

(1-800-533-6937)

www.sears.ca

The Sears logo is centered at the bottom of the page. It features the word "Sears" in a bold, serif font. A horizontal line is positioned below the letters "e" and "a", extending from the left side of the "e" to the right side of the "a".